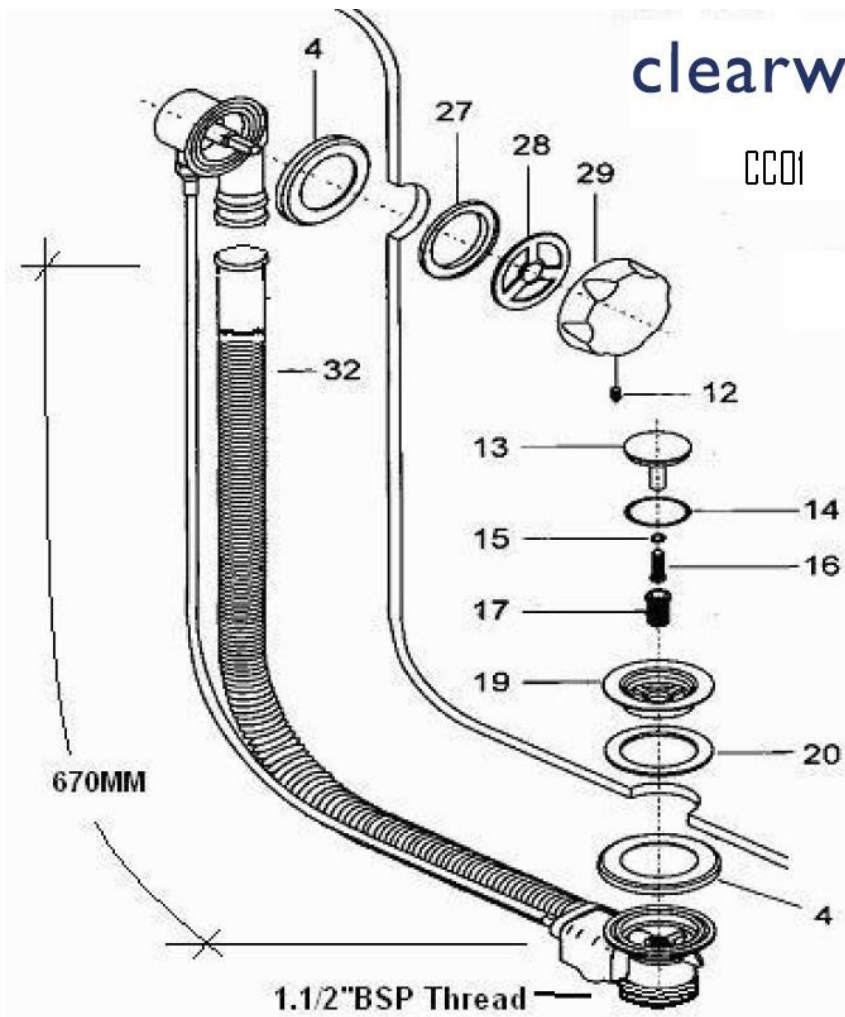


clearwater

CCOI



- 4. Sealing Washers
- 12. Handle Screw
- 13. Plug
- 14. Plug O Ring
- 15. Lock Nut
- 16. Plug Screw
- 17. Waste Nut
- 19. Waste Grid
- 20. Sealing Washer
- 27. Overflow Washer
- 28. Pressure Plate
- 29. Control Handle