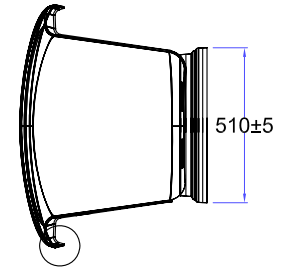
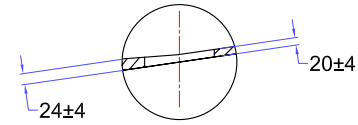
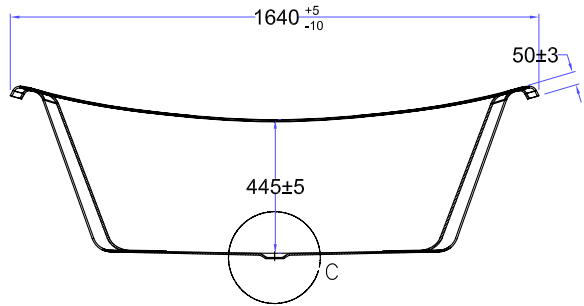


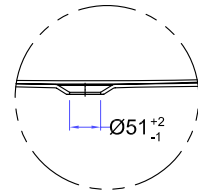
B-B



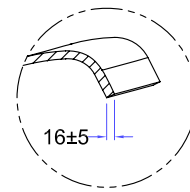
E



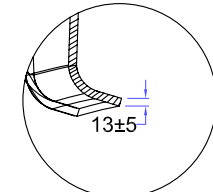
A-A



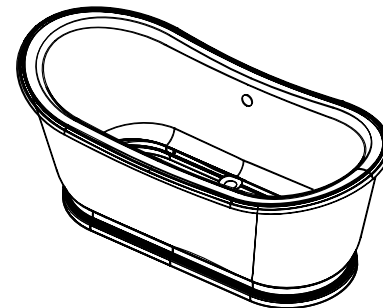
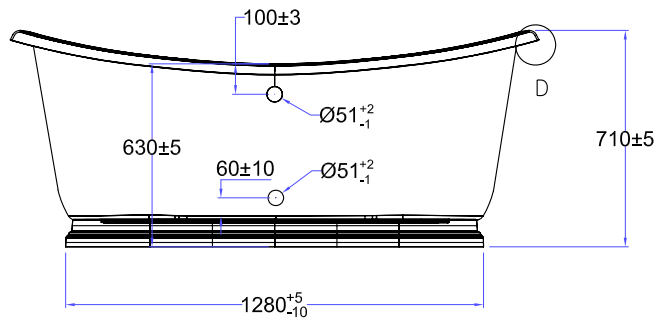
C-C



D-D



E



Bath Water Volume : 169 litres * / 99 litres **

* Volume of water contained in the bath if filled to the overflow.

** Volume of water contained in the bath if filled to the overflow less 70 litres displacement to allow for an average person in the bath.

Product weight: 45kg