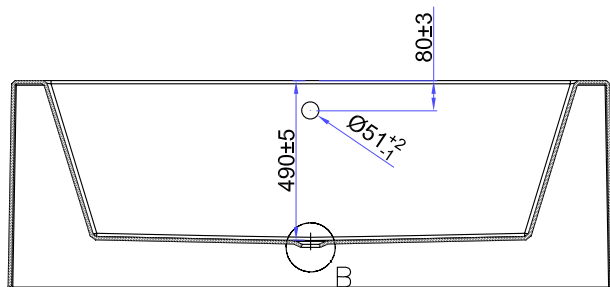
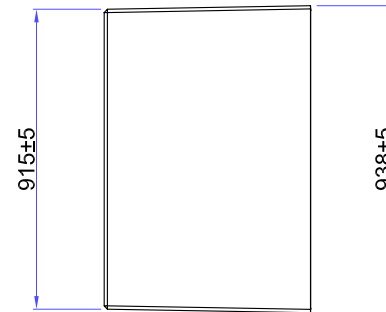
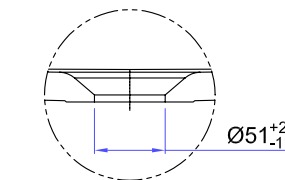


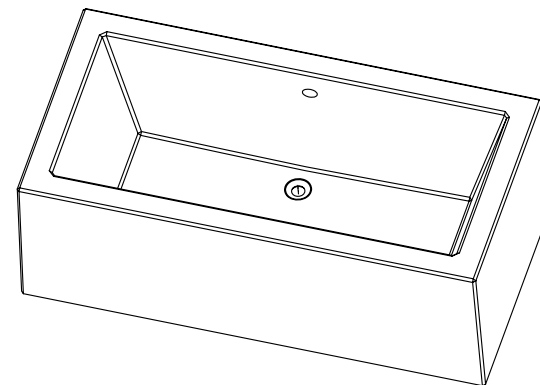
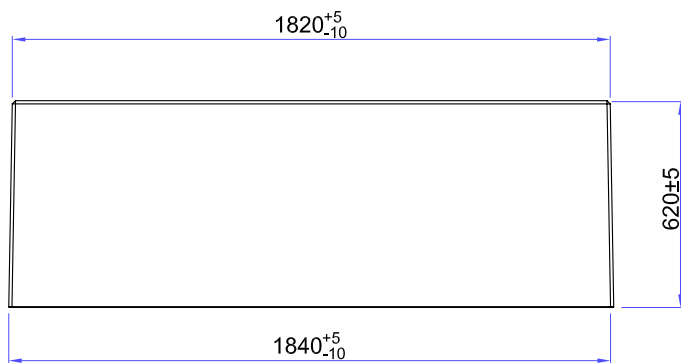
B-B



A-A



C-C



Bath Water Volume : 360 litres * / 290 litres **

* Volume of water contained in the bath if filled to the overflow.

** Volume of water contained in the bath if filled to the overflow less 70 litres displacement to allow for an average person in the bath.

Product weight: 55kg